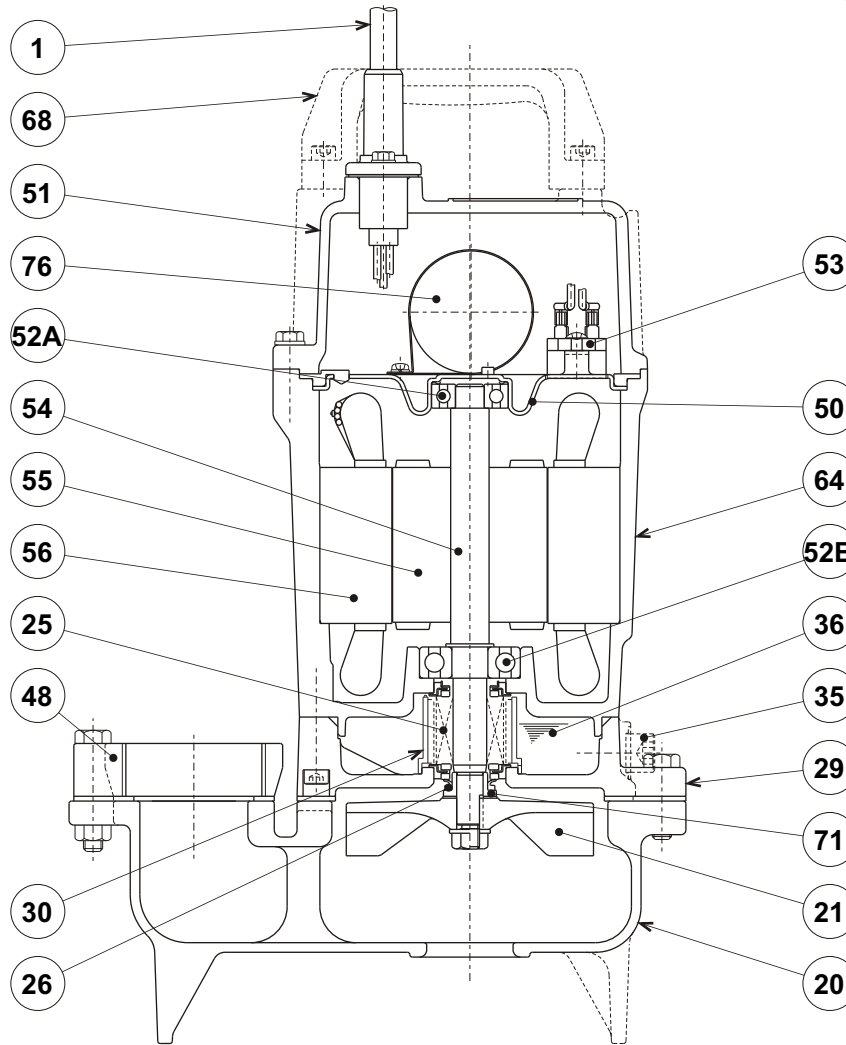




UT - SERIES
SUBMERSIBLE SEMI-VORTEX-SEWAGE PUMPS

SECTIONAL VIEW

50UT2.75S-61



| ITEM# | DESCRIPTION | MAIN MATERIAL / NOTE | RELATED ASTM, AISI CODE | RELATED EN CODE | Q'TY |
|-------|------------------|-----------------------------------|-------------------------|-----------------|------|
| 1 | Power Cable | PVC Sheath AWG14/3-32ft | | | 1 |
| 20 | Pump Casing | Cast Iron | A48M Class30B | EN 1561 GJL-200 | 1 |
| 21 | Impeller | PPO Resin w/GF20 | | | 1 |
| 25 | Mechanical Seal | Silicon Carbide / W-14VL | | | 1 |
| 26 | V-Ring | Nitrile Butadiene Rubber | | | 1 |
| 29 | Oil Casing | Cast Iron | A48M Class30B | EN 1561 GJL-200 | 1 |
| 30 | Oil Lifter | PBT Resin | | | 1 |
| 35 | Oil Plug | Stainless Steel | S 30400 | 1.4301 | 1 |
| 36 | Lubricant | Turbine Oil ISO VG32 or SAE10W-20 | | | |
| 48 | Companion Flange | Cast Iron / NPT 2" | A48M Class30B | EN 1561 GJL-200 | 1 |
| 50 | Motor Bracket | Steel (Electro-Galvanized) | A591 | EN 10152 | 1 |
| 51 | Motor Head Cover | Cast Iron | A48M Class30B | EN 1561 GJL-200 | 1 |
| 52A | Upper Bearing | #6201ZZC3 | | | 1 |
| 52B | Lower Bearing | #6302ZZC3 | | | 1 |
| 53 | Motor Protector | | | | 1 |
| 54 | Shaft | Stainless Steel | S 40300 | 1.4000 | 1 |
| 55 | Rotor | | | | 1 |
| 56 | Stator | | | | 1 |
| 64 | Motor Housing | Cast Iron | A48M Class30B | EN 1561 GJL-200 | 1 |
| 68 | Handle | ABS Resin | | | 1 |
| 71 | Shaft Sleeve | Stainless Steel | S 30400 | 1.4301 | 1 |
| 76 | Capacitor | | | | 1 |